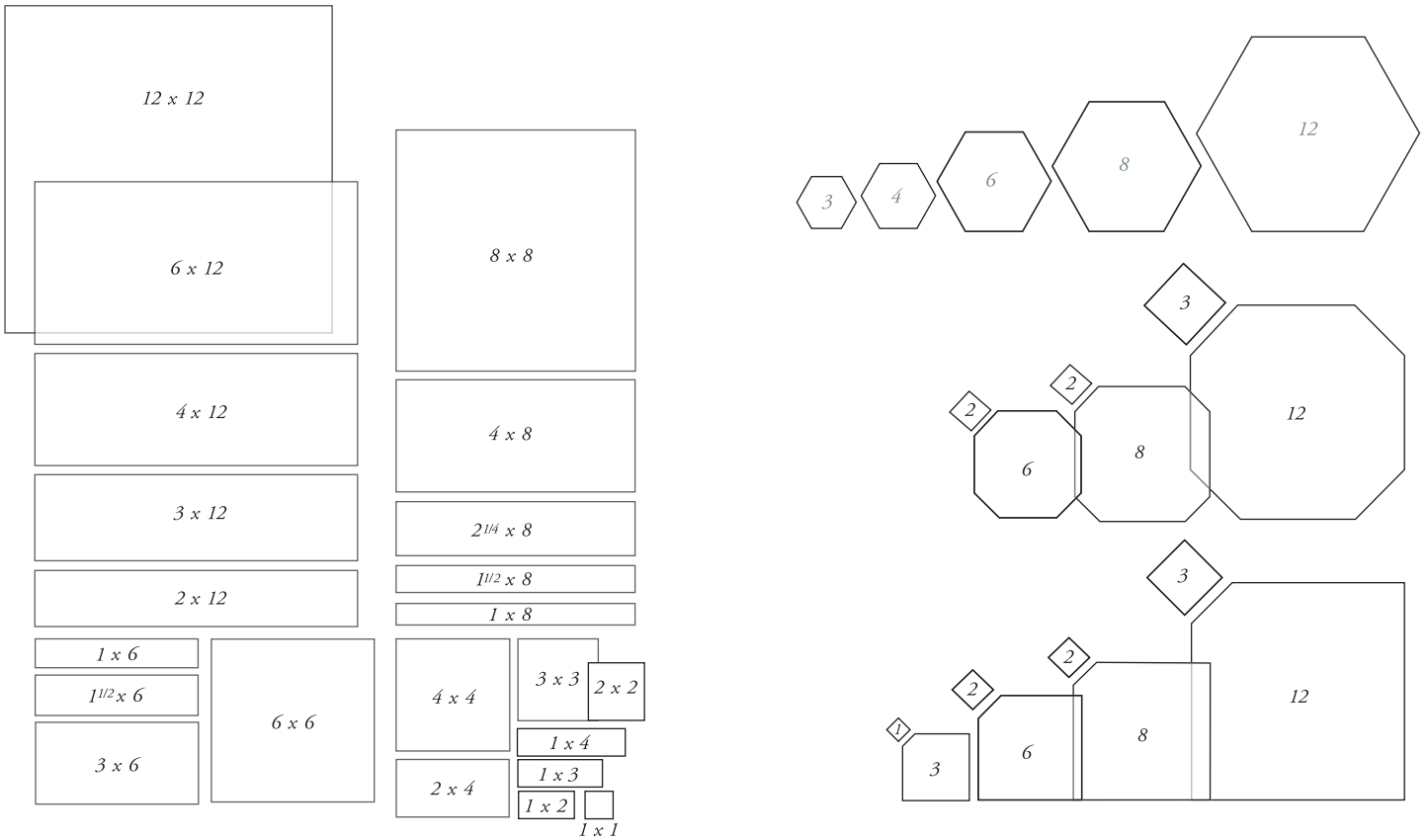
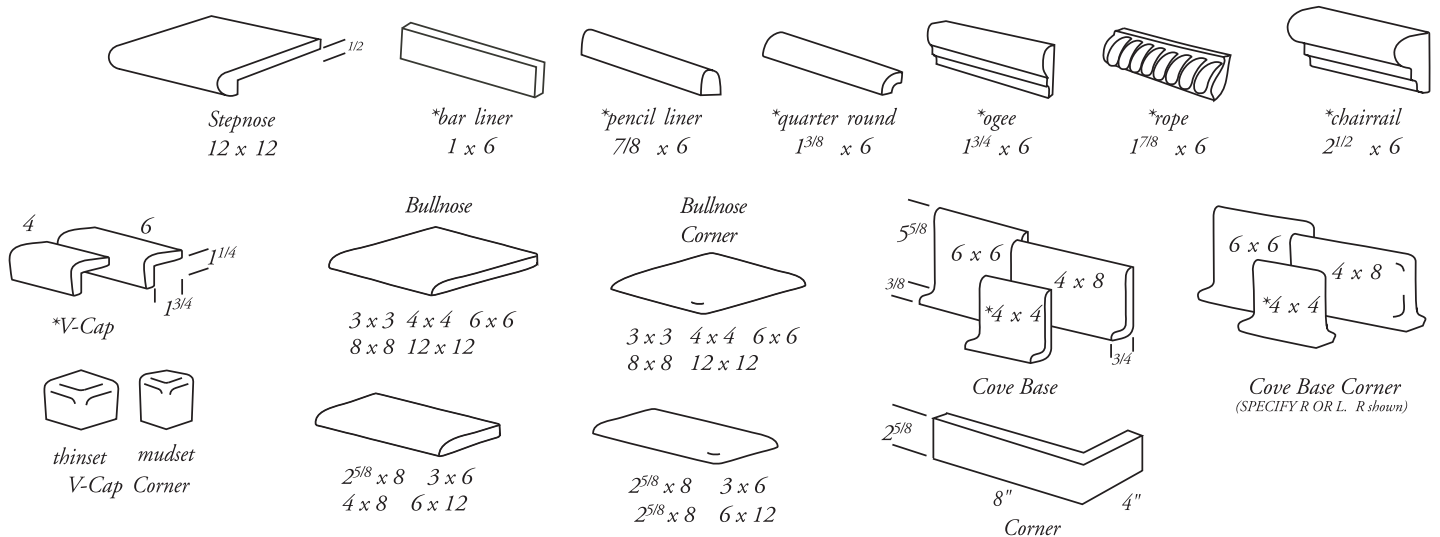


# Tile & Trim Sizes

## Glazed & Unglazed Tile



## Glazed & Unglazed Trim



# Tech Notes

## Simple guidelines to assure the beauty & performance of your tile

Seneca Quarry Pavers are manufactured to ensure the highest quality of “hands on” craftsmanship. Our distinctive, one-at-a-time, stamping process creates a “relaxed” square edge and corner. Minor surface and shade variations help provide the unique character which sets our pavers apart from the mechanical appearance of other mass-produced products. Only the finest shale and fire clays are blended together to provide the dense, durable body necessary for use in interior and exterior applications. (Glazed tiles are not recommended for exterior horizontal use.) Glazed and Unglazed Quarry Pavers may be combined to create even more sophisticated design projects.

Unglazed Quarry Pavers are intended to provide the feeling of an old, authentic brick floor with all its desirable, inherent imperfections and variations. Because of the nature of this product, minor surface blemishes will be more apparent in a new installation than in one that is allowed to age naturally. The use of contrasting grout colors may further accentuate these variations. Washing and use will, over time, impart a natural patina and diminish any minor imperfections so your floor will take on its own unique look.

Maintenance: Regular cleaning is easy just sweep regularly and damp mop as necessary, using warm water and a neutral cleaner. To clean stubborn spots or grout joints use a stiff natural bristle brush.

Ordering: Most tile is packed in cartons containing 10 square feet.  
Availability: Large inventories are maintained allowing timely deliveries; however due to the broad offering of shapes and sizes, some orders may have to be made.

Installation: Refer to the Tile Council of North America publication, Handbook for Ceramic Tile Installation, and follow instructions for your specific type of application.

All Seneca Tiles are made in such a way as to assure their originality. Variations from samples and within a shipped lot are to be expected.

All Seneca Tiles are nominally sized; this means that a 6” x 6” tile will include the grout joint. Because of the handcrafted nature of our tiles, all dimensions given are approximate.

Custom sizes, shapes and glazes are available. Contact a factory representative for details.

For additional slip and/or wear resistance on Glazed Quarry Pavers and SenecaSatins, an optional abrasive finish is available.

LEED & Green Information  
We are proud of the way we treat the environment by using clays sourced within 100 miles of our facility that are then minimally processed from their natural state through to the finished product.

This fact may aid in LEEDS points awarded for regionally manufactured materials. (LEED Categories 5.1 &/or 5.2) Ceramic tiles by their very nature are inert, non-combustible, non-toxic and are completely free of any volatile organic compounds.

Further, ceramic tiles allow for the use of low VOC adhesives & grouts that will not reduce indoor environmental air quality. We recycle a waste product of coal fired electricity production into the body of many of our unglazed tiles.

Additionally, we reclaim our own liquid waste glaze residue and our scrap clay and put it back into our clay body, which makes our already dense clay body all the more durable. Heat captured from our kilns is used to dry our tiles prior to firing, as well as heat much of our plant during cooler months. These measures not only help maintain the environment, but eliminate several items from the waste stream.

Even our off grade tiles are stacked in our yard and picked over endlessly by residential and commercial users alike to create their own individual masterpieces so they never end up in a landfill. In short, the recycled use of post-industrial materials in our tiles, the low impact manufacturing methods we use and products we make with abundant, local raw materials and the reclamation of much of our own waste help us achieve our goal to help keep our environment clean and safe.

Seneca Quarry Pavers conform to ANSI 137.1 as Special Purpose Tile. Our tiles are produced, graded and packed to our stated specifications. When requested by the purchaser prior to production, a Master Grade Certificate may be issued certifying compliance with properties mutually agreed upon by purchaser and Seneca Tiles Inc.

### TEST RESULTS: Glazed and Unglazed

Technical Data	Requirement	Seneca Tile
Water Absorption	Less than 3% for vitreous	Less than 3%
Breaking Strength	250 lbs. min.	Exceeds
Bond Strength	50 P.S.I. Exceeds	
Thermal Shock	No shivering/disintegration	No shivering/disintegration
Abrasive Hardness*	35 min.	Exceeds
Co-efficient of Friction*		
Dry Leather	.60 min. (ADA)	Exceeds
Dry Rubber	.60 min. (ADA)	Exceeds
Wet Leather	.60 min. (ADA)	Exceeds
Wet Rubber	.60 min. (ADA)	Exceeds

\*Unglazed tile only